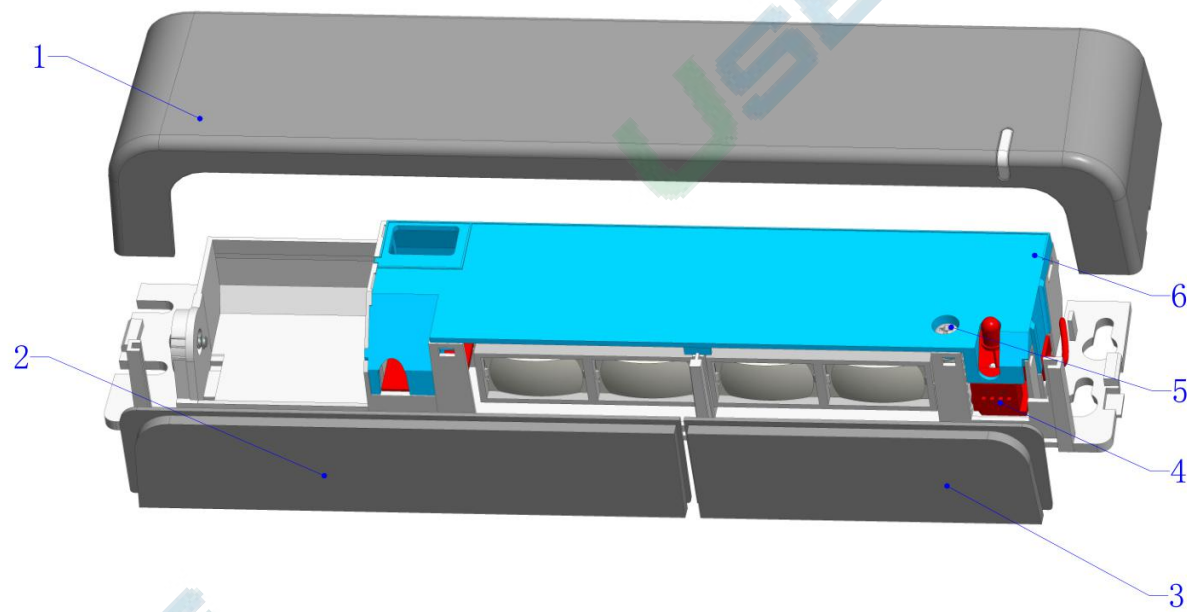


Guardian 1.0

Active Infrared Sensor for Automatic Doors

Description



1. Main Connector
2. IR light blocking cover
3. IR light blocking cover
4. Dip switch
5. Detection range adjustment

Technical Specifications

Technology:	Active Infrared Infrared wavelength: 850 nm
Detection Mode:	Presence Typical response time: < 300 ms
Angle:	- 5° to + 8°
Supply Voltage:	12V - 30V DC +/- 10%
Mains Frequency:	50 Hz - 60 Hz
Max Power Consumption:	< 2.2 W
Output:	Relay (free of potential change-over contact) Max contact voltage: 30V DC/ V AC Max contact current: 2A (max)
Mounting Height:	1.8 m to 3 m
Temperature Range:	From - 25°C to + 70°C
Noise:	< 70 dB
retention time :	1s
Degree of protection:	IP54
Dimension:	271 mm (L) x 59 mm (H) x 41 mm (W)
Material:	ABS & PMMA
Cable Length:	3 m

Tips



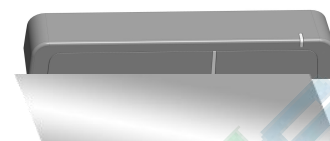
Avoid vibrations



Do not cover the sensor

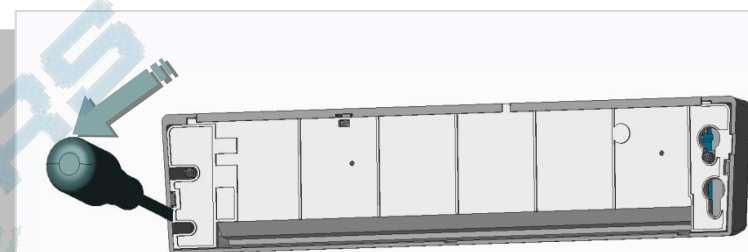


Avoid proximity to neon lamps or moving objects

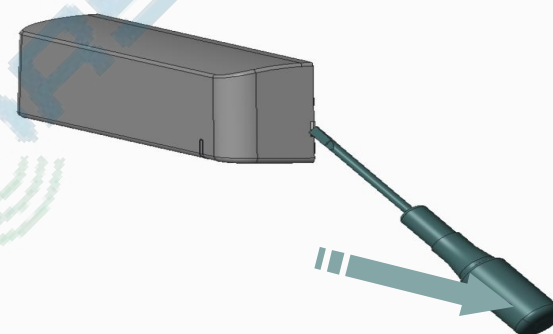


Avoid highly reflective objects in the infrared field

1. OPENING THE SENSOR

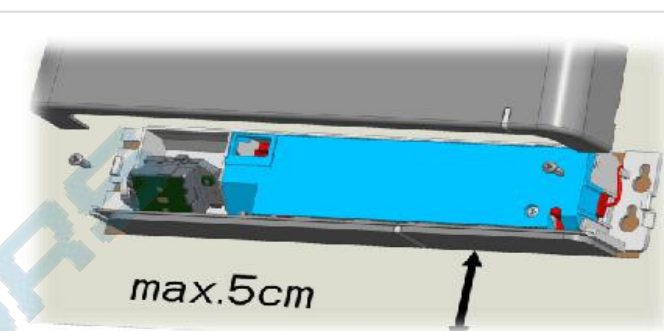


Before fixing

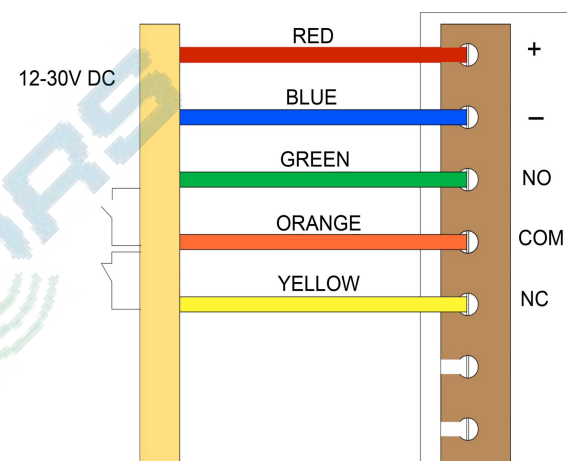


After fixing

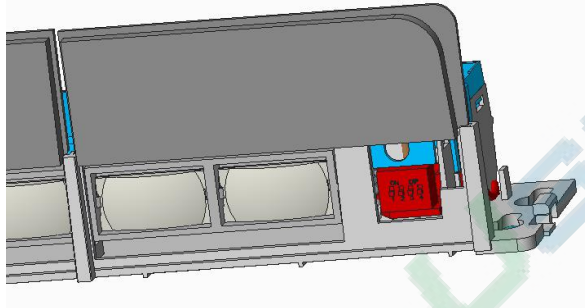
2. MOUNTING & WIRING



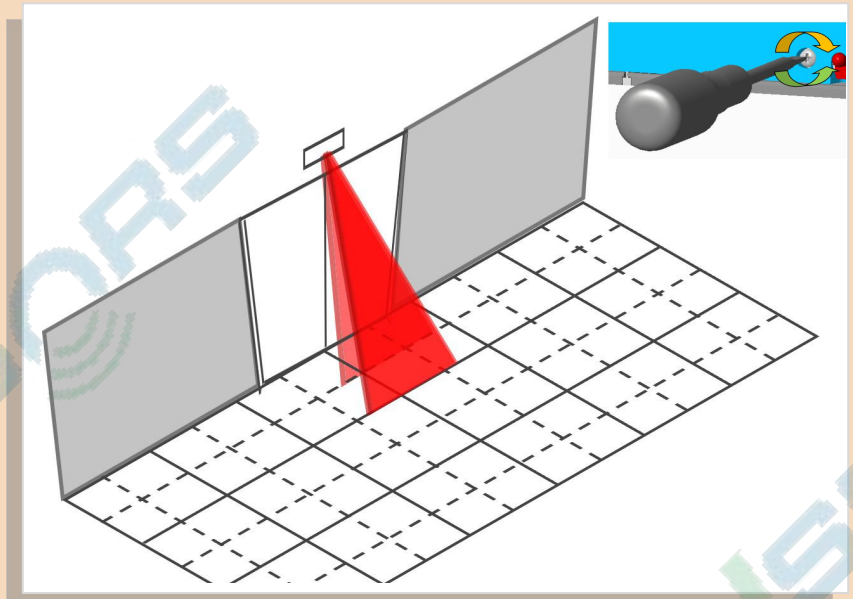
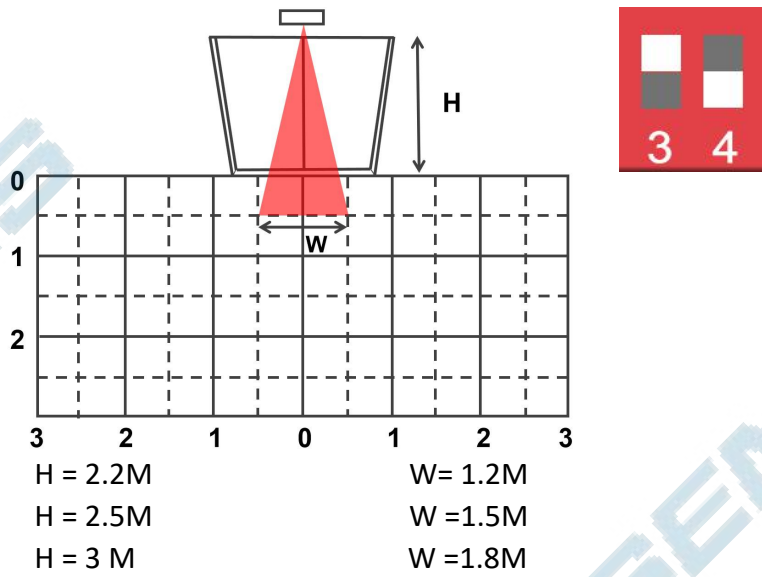
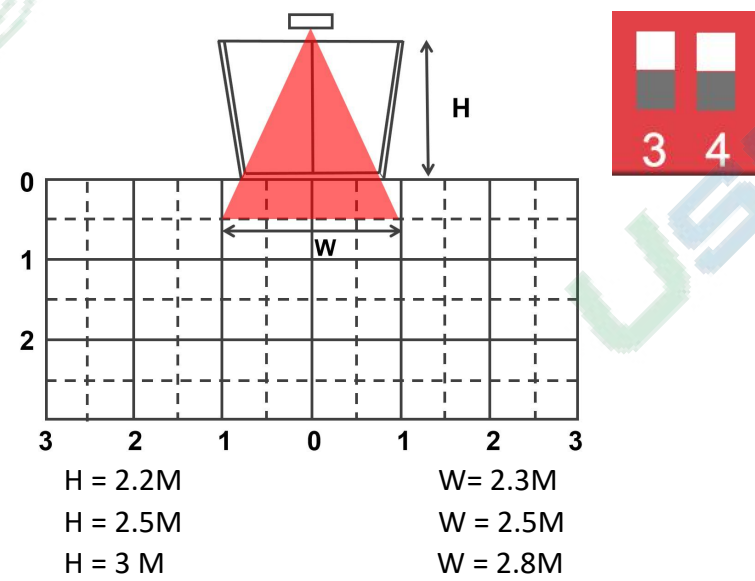
The product should be fixed in the correct position



3. INFRARED DETECTION & ADJUSTMENT



The light blocking cover should be removed before adjustment



4. FUNCTION SWITCHING



All in OFF, not working



ON - open motion mode
OFF - close motion mode



ON - common mode
OFF - unidirectional mode



ON - open presence mode
OFF - close presence mode



ON - enlarge Infrared detection range
OFF - reduce Infrared detection range

Light Indicator

Red LED lights on	Infrared part is on
Orange LED flashes	Setting model
The LED is off	Check wiring and the power supply
After orange LED flashes, red LED is off	Check if the sensor turns on infrared module (DIP 3)
Red LED keeps lighting up	<ol style="list-style-type: none">1) Check if there are objects (e.g. rain drop) on the cover2) Check if the sensor vibrates and fastened it firmly3) Check if the sensor sees the door and adjust the IR angle4) Check if the sensor is disturbed by external conditions, and turn off the DIP 4

